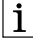




# ThinkPad USB Keyboard with TrackPoint User Guide

 <http://www.lenovo.com/safety>

**Note:** Before installing the product, be sure to read the warranty information in Appendix C “Lenovo Limited Warranty” on page 27.

**Second Edition (October 2012)**

**© Copyright Lenovo 2009, 2012.**

LIMITED AND RESTRICTED RIGHTS NOTICE: If data or software is delivered pursuant a General Services Administration “GSA” contract, use, reproduction, or disclosure is subject to restrictions set forth in Contract No. GS-35F-05925.

---

# Contents

<b>Chapter 1. About the keyboard . . . . .</b>	<b>1</b>	<b>Appendix B. Service and Support. . . . .</b>	<b>25</b>
Product description. . . . .	2	Online technical support . . . . .	25
Front view. . . . .	2	Telephone technical support . . . . .	25
Rear view . . . . .	4	<b>Appendix C. Lenovo Limited</b>	
System requirements . . . . .	5	<b>Warranty. . . . .</b>	<b>27</b>
<b>Chapter 2. Installing the keyboard . . . . .</b>	<b>7</b>	Part 1 - General Terms . . . . .	27
Installing the keyboard . . . . .	7	Part 2 - Country-specific Terms . . . . .	30
Installing the device driver on Windows operating systems . . . . .	7	Part 3 - Warranty Service Information. . . . .	32
Uninstalling the device driver from Windows operating systems . . . . .	8	Suplemento de Garantía para México. . . . .	33
<b>Chapter 3. Using the keyboard . . . . .</b>	<b>11</b>	<b>Appendix D. Electronic emission notices . . . . .</b>	<b>35</b>
Using the Numeric Lock key . . . . .	11	Federal Communications Commission Declaration of Conformity . . . . .	35
Using the TrackPoint . . . . .	11	<b>Appendix E. Notices. . . . .</b>	<b>39</b>
Using the pointing stick . . . . .	11	Trademarks . . . . .	39
Replacing the pointing stick cap . . . . .	12	Recycling information . . . . .	39
Displaying the USB TrackPoint icon. . . . .	12	Recycling information for Brazil . . . . .	40
Changing the pointing stick sensitivity . . . . .	13	<b>Appendix F. Restriction of Hazardous Substances Directive (RoHS) . . . . .</b>	<b>41</b>
Enabling Press-to-Select . . . . .	13	China RoHS. . . . .	41
Enabling TrackPoint Scrolling Tips . . . . .	14	Turkish RoHS . . . . .	41
Choosing Scrolling or Magnifying Glass function . . . . .	14	Ukraine RoHS . . . . .	41
Changing button assignments. . . . .	15	India RoHS . . . . .	41
Using the Fn function key . . . . .	17		
<b>Chapter 4. Troubleshooting . . . . .</b>	<b>19</b>		
<b>Appendix A. Product specifications. . . . .</b>	<b>23</b>		



---

## Chapter 1. About the keyboard

This manual contains product description and instructions for installing and using the ThinkPad® USB Keyboard with TrackPoint® (hereafter called the keyboard).

The ThinkPad USB Keyboard with TrackPoint is an external keyboard that has an ultra-slim design. It has the same keys with the keyboard of the ThinkPad computer.

The keyboard has the following features:

- A smart size saves your desk space
- An integrated TrackPoint consisting of a pointing stick and three click buttons eliminates the needs for an external mouse
- Function keys provide shortcuts for some common computer functions

The option package includes:

- ThinkPad USB Keyboard with TrackPoint
- Setup and warranty poster
- *Software and User Guide CD*

---

## Product description

This section provides a general description of the keyboard.

### Front view

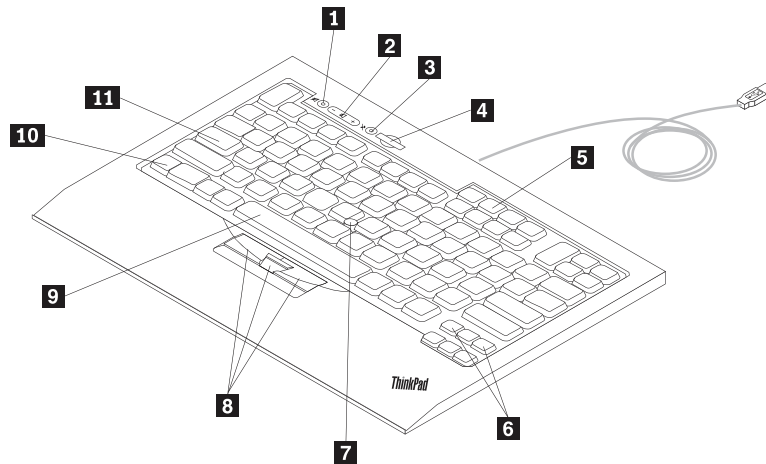


Figure 1. Front view of the keyboard

<b>1</b> Speaker mute button	<b>7</b> TrackPoint pointing stick
<b>2</b> Volume control button	<b>8</b> TrackPoint click buttons (left, center, and right buttons)
<b>3</b> Microphone mute button	<b>9</b> Space bar
<b>4</b> ThinkVantage® button	<b>10</b> Fn key
<b>5</b> Scroll Lock or Numeric Lock key	<b>11</b> Caps Lock key
<b>6</b> Back and Forward keys	

#### **1** Speaker mute button

Press this button to mute or unmute audio volume. When the light-emitting diode (LED) on the speaker mute button is on, the speaker is muted.

**Note:** When you press this button, the corresponding indicator is displayed on the computer screen for a few seconds.

#### **2** Volume control button

Press this button to increase or decrease the volume of your audio device.

**Note:** When you press this button, the corresponding indicator is displayed on the computer screen for a few seconds.

#### **3** Microphone mute button

Press this button to mute or unmute the system microphone. When the LED on the microphone mute button is on, the microphone is muted.

**Note:** The microphone mute button only works with the ThinkPad T400s series notebook computers.

#### **4 The ThinkVantage button**

The ThinkVantage button provides you with quick access to some of the programs installed on your computer.

**Note:** Before using the ThinkVantage button, ensure that you have installed the keyboard driver.

- **Microsoft® Windows® XP and Microsoft Windows Vista®:**

Pressing the ThinkVantage button opens the ThinkVantage Productivity Center program or the Lenovo Care<sup>SM</sup> program, which contains comprehensive help and information for your computer.

If the computer does not come with either of the programs, pressing the ThinkVantage button opens the Windows System Information window.

- **Microsoft Windows 7:**

Pressing the ThinkVantage button opens one of the following programs. If the computer does not come with any of the following programs, pressing the ThinkVantage button opens the Windows System Information window.

- Lenovo® SimpleTap: This program provides you with a quick way to customize some basic computer settings.
- Lenovo Solution Center: This program enables you to troubleshoot and resolve computer problems.
- Lenovo ThinkVantage Toolbox: This program enables you to evaluate system performance and diagnose and resolve computer problems.

- **Microsoft Windows 8:**

Pressing the ThinkVantage button opens the Lenovo Device Experience program.

#### **5 Scroll Lock key**

When the Scroll Lock key is enabled, you can scroll the contents of a text window by pressing the arrow keys instead of moving the cursor.

**Note:** Not all application programs support this function.

#### **5 Numeric Lock key**

When the Numeric Lock key is enabled, some alphabetic keys (M, J, K, L, U, I, and O) and numeric keys (7, 8, and 9) on the keyboard work as a 10-key numeric keypad. For more information, see “Using the Numeric Lock key” on page 11.

#### **6 Back and Forward keys**

Used to move backward and forward among the Web pages according to the sequence that you opened them.

#### **7 8 TrackPoint**

The TrackPoint consists of a pointing stick and three click buttons. For more information, see “Using the TrackPoint” on page 11.

#### **9 Space bar**

Press this key to type the space between words. In many programs for playback of linear media, press the space bar to pause and resume playback, or manually advance through text.

#### **10 Fn key**

The Fn key is used together with a function key to perform certain tasks. For more information, see “Using the Fn function key” on page 17.

## 11 Caps Lock key

When the LED on the CapsLk key is on, the CapsLk key is enabled. You can type all alphabetic characters (A-Z) in uppercase directly.

## Rear view

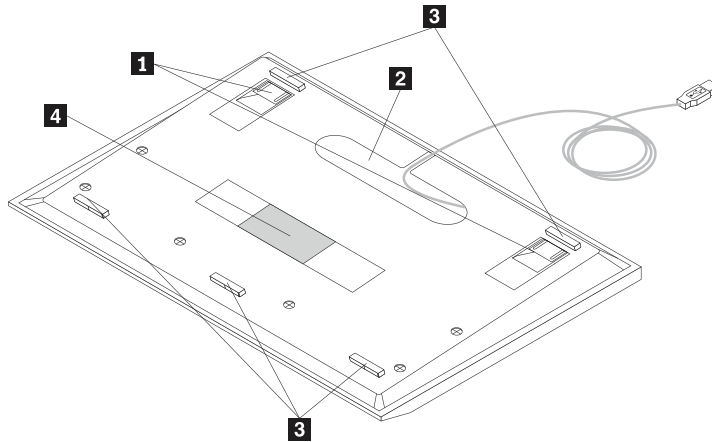


Figure 2. Rear view of the keyboard

<b>1</b> Tilt feet (2)	<b>3</b> Non-skid feet (5)
<b>2</b> Cable slot	<b>4</b> Identification label

### 1 Tilt feet

Used to adjust the angle of the keyboard to provide maximum comfort.

### 2 Cable slot

Used to store the cables of the keyboard.

### 3 Non-skid feet

Used to prevent the keyboard from unexpected moving.

### 4 Identification label

Contains the part number, version number, and some other product information.



---

## System requirements

Before installing the keyboard, do the following:

- Ensure that there is an available USB connector on your computer.
- Ensure that your computer has one of the following operating systems installed:
  - Windows XP (32-bit)
  - Windows Vista (32-bit or 64-bit)
  - Windows 7 (32-bit or 64-bit)
  - Windows 8 (32-bit or 64-bit)

Before installing this device, it is recommended that you check the Lenovo Support Web site <http://www.lenovo.com/support> for the latest software updates, including updated basic input/output system code (BIOS), utility programs, device drivers, and other software updates. You are responsible for downloading and installing designated software updates from the Support Web site or other electronic media, and following the instructions that your Service Provider provides.



---

## Chapter 2. Installing the keyboard

This chapter provides information about installing the keyboard and the device driver.

### Notes:

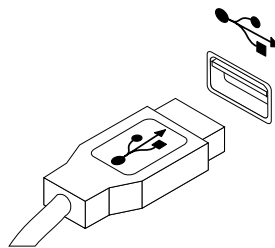
- Be sure to install the ThinkPad USB Keyboard with TrackPoint driver (hereafter called the device driver). Otherwise, some functions of the keyboard will not work correctly.
- For the latest version of the device driver, go to:  
<http://www.lenovo.com/support>

---

### Installing the keyboard

To install the ThinkPad USB Keyboard with TrackPoint, do the following:

1. Adjust the tilt feet to set the keyboard near your computer to your preference.
2. Connect the keyboard cable to an available USB connector on your computer.



**Note:** Route the keyboard cable into the cable slot if necessary.

After the operating system identifies the keyboard, the keyboard will be ready for use.

For additional information on this product, go to the Lenovo Web site at:  
<http://www.lenovo.com/support>

---

### Installing the device driver on Windows operating systems

To install the device driver on the Windows XP, Windows Vista, Windows 7, or Windows 8 operating system, do the following:

#### For the Windows XP, Windows Vista, or Windows 7 operating system:

1. Save any open documents and exit all applications.
2. Insert the *Software and User Guide CD* into the optical drive. The disc starts automatically. If the disc does not start automatically, do one of the following:
  - If the autoplay window opens, click **Run ViewHtml.exe**.
  - If the autoplay window does not open, go into **My Computer** or **Computer**, and then double-click **ViewHtml.exe** in the root directory of the disc.
3. Select your language.
4. Click **Software** in the left pane of the window.
5. Follow the instructions on the screen to install the device driver.

### For the Windows 8 operating system:

1. Save any open documents and exit all applications.
2. Insert the *Software and User Guide CD* into the optical drive. The disc starts automatically. If the disc does not start automatically, do one of the following:
  - If a notification box is displayed, prompting you to choose the action to do with the disc, click anywhere of the notification box, and then click **Run ViewHtml.exe**.
  - If the autoplay window opens, click **Run ViewHtml.exe**.
  - If the autoplay window does not open, move the cursor to the bottom-right corner of the screen to display the charms, and click **Search → Computer**. Then double-click **ViewHtml.exe** in the root directory of the disc.
3. Select your language.
4. Click **Software** in the left pane of the window.
5. Follow the instructions on the screen to install the device driver.

---

## Uninstalling the device driver from Windows operating systems

To uninstall the device driver from the Windows XP, Windows Vista, Windows 7 or Windows 8 operating system, do the following:

### For the Windows XP operating system:

1. Click **Start → Control Panel** or **Start → Settings → Control Panel**.
2. Depending on your Control Panel mode, click or double-click **Add or Remove Programs**.
3. Click the **ThinkPad USB Keyboard with TrackPoint**, and then click **Remove**.
4. Follow the instructions on the screen.

### For the Windows Vista or Windows 7 operating system:

1. Click **Start → Control Panel** or **Start → Settings → Control Panel**.
2. Depending on your Control Panel mode, do one of the following:
  - Click the **Uninstall a program** option under the **Programs** menu.
  - Click **Programs and Features**.
3. Select the **ThinkPad USB Keyboard with TrackPoint** and then right-click your mouse. The **Uninstall/Change** option is displayed.
4. Click **Uninstall/Change**.
5. Follow the instructions on the screen.

### For the Windows 8 operating system:

- From the Start screen
  1. Move the cursor to the bottom-right corner of the screen to display the charms, and then click **Search → Control Panel**.
  2. Depending on your Control Panel mode, do one of the following:
    - Click the **Uninstall a program** option under the **Programs** menu.
    - Click **Programs and Features**.
  3. Select the **ThinkPad USB Keyboard with TrackPoint** and then right-click your mouse. The **Uninstall/Change** option is displayed.
  4. Click **Uninstall/Change**.

5. Follow the instructions on the screen.
- From the desktop
    1. Right-click anywhere on the desktop, and then click **Personalize**. The Personalization window opens.
    2. Click **Control Panel Home** in the top-left area.
    3. Depending on your Control Panel mode, do one of the following:
      - Click the **Uninstall a program** option under the **Programs** menu.
      - Click **Programs and Features**.
    4. Select the **ThinkPad USB Keyboard with TrackPoint** and then right-click your mouse. The **Uninstall/Change** option is displayed.
    5. Click **Uninstall/Change**.
    6. Follow the instructions on the screen.



---

## Chapter 3. Using the keyboard

This chapter provides information about using the keyboard.

---

### Using the Numeric Lock key

When the Numeric Lock key is enabled, some alphabetic keys (M, J, K, L, U, I, and O) and numeric keys (7, 8, and 9) on the ThinkPad USB keyboard with TrackPoint work as a 10-key numeric keypad.

To enable or disable the numeric keypad, press Fn+ScrLk/NmLk. When you press this button, the corresponding indicator is displayed on the computer screen for a few seconds.

#### Notes:

- For some ThinkPad computer models such as the ThinkPad T400s series, depending on the BIOS setting, the On Screen Display (OSD) icon displays differently:
  - When the system BIOS is set as Synchronized and you press Fn+ScrLk/NmLk on the ThinkPad USB keyboard with TrackPoint or on the keyboard of your ThinkPad computer, the OSD icon displays as in the lower right corner of your computer screen. And this is supported by the notebook internal application.
  - When the system BIOS is set as Independent, the OSD icon displays differently:
    - If you press Fn+ScrLk/NmLk on the ThinkPad USB keyboard with TrackPoint, the OSD icon displays as at the bottom center of your computer screen.
    - If you press Fn+ScrLk/NmLk on the keyboard of your ThinkPad computer, the OSD icon displays as in the lower right corner of your computer screen.
- For the Windows 8 operating system, the OSD support depends on your system. Refer to the User Guide of your computer.

---

### Using the TrackPoint

The TrackPoint consists of a pointing stick and three click buttons. The pointing stick is used to control the cursor. The three click buttons are the left button, the right button, and the center button. This section provides information on using the pointing stick, configuring the center button, and customizing the TrackPoint.

#### Using the pointing stick

To use the pointing stick, do the following:

1. Place your hands at typing position, and press gently on the pointing stick in the direction that you want the pointer to move. You can press the pointing stick away from you to move it up, toward you to move it down, to one side or the other to move it sideways. The speed at which the pointer moves depends on the pressure you apply to the pointing stick.

**Note:** The cursor might periodically drift. Stop using the pointing stick for a few seconds and try again. The cursor will work normally.

2. To select and drag an item, stop the pointing stick and press the left or right button with your thumb. The left and right buttons function the same as the left and right buttons on a conventional mouse.

## Replacing the pointing stick cap

The cap on top of the pointing stick is removable. You can use any of the cap types shipped with your notebook computer to replace your current cap.

To remove the cap on the pointing stick, simply grasp the top portion of the cap and pull it up. To install a new cap, align the square at the bottom of the cap with the pointing stick and push down until the cap seats into position.

## Displaying the USB TrackPoint icon

For easy access to the TrackPoint properties, you can display the USB TrackPoint icon in the lower right corner of your computer screen by doing the following:

- For the Windows XP or Windows Vista operating system, do the following:
  1. Click **Start → Control Panel** or **Start → Settings → Control Panel**.
  2. Depending on your Control Panel mode, do one of the following:
    - Click the **Mouse**.
    - Double-click **Mouse**.
    - Click **Printers and Other Hardware**, and then click **Mouse**.  
The Mouse Properties window opens.
  3. Click the **USB TrackPoint** tab.
  4. Select **Show TrackPoint icon on the system tray**.
  5. Click **Apply**, and then click **OK**.
- For the Windows 7 operating system, do the following:
  1. Click **Start → Control Panel**.
  2. Click **Mouse**. The Mouse Properties window opens.
  3. Click the **USB TrackPoint** tab.
  4. Select **Show TrackPoint icon on the system tray**.
  5. Click **Apply**, and then click **OK**.
  6. Click **Show hidden icons** icon in the lower right corner of your computer screen.
  7. Click **Customize**.
  8. In the “Select which icons and notifications appear on the taskbar” window, select **show icon and notifications** in the USB TrackPoint area.
- For the Windows 8 operating system, do the following:
  1. Go to Control Panel by doing one of the following:
    - Move the cursor to the bottom-right corner of the screen to display the charms, and then click **Search → Control Panel**.
    - Right-click anywhere on the desktop, and then click **Personalize**. The Personalization window opens. Click **Control Panel Home** in the top-left area.
  2. Depending on your Control Panel mode, do one of the following:
    - Click **Hardware and Sound**. Then click the **Mouse** option under the **Devices and Printers** menu.
    - Click **Mouse**. The Mouse Properties window opens.
  3. Click the **USB TrackPoint** tab.
  4. Select **Show TrackPoint icon on the system tray**.
  5. Click **Apply**, and then click **OK**.



You can now easily change the properties of the TrackPoint by clicking the **USB TrackPoint** icon.

To remove the USB TrackPoint icon from the lower right corner of your computer screen, do the following:

1. Right-click the **USB TrackPoint** icon.
2. Select **Remove USB TrackPoint icon from system tray**. The icon disappears.

## Changing the pointing stick sensitivity

When you are using the pointing stick, you might prefer to use a light touch, or you might want to apply more pressure. You can change the way the pointing stick responds to your touch by doing the following:

1. Click the **USB TrackPoint** icon.
2. Select **TrackPoint Properties**.
3. Click the **USB TrackPoint** tab.
4. In the **TrackPoint Stick** area, move the slider toward **Firm Touch** or **Light Touch** according to your preference.
5. Click **Apply**. Then, test how the pointing stick responds to your new setting and make adjustments if necessary.
6. Click **OK** to apply the setting.

## Enabling Press-to-Select

When Press-to-Select is enabled, you can select text or items by simply pressing the pointing stick without using the click buttons.

To enable Press-to-Select, do the following:

1. Click the **USB TrackPoint** icon.
2. Select **TrackPoint Properties**.
3. Click the **USB TrackPoint** tab.
4. Select **Enable Press-to-Select**.
5. Click **Settings**. The Press-to-Select Settings window opens. In this window, you can choose from the following:
  - **Enable Dragging**: When this option is selected, you can select and drag an item by applying pressure to the pointing stick.
  - **Enable Release-to-Select**: When this option is selected, you can select an item by pressing the pointing stick once or double-click an item by pressing twice.
  - In the **Press means** area, you can select which button on a conventional mouse you want the pointing stick to act as.
    - If you select **Left-Click**, the pointing stick acts as the left button on a conventional mouse.
    - If you select **Right-Click**, the pointing stick acts as the right button on a conventional mouse.
  - The **Click Pace** area enables you to adjust the pace you press the pointing stick for **Press-to-Select**.
    - If you set the pace too slow, you might encounter a delay when you are moving or dragging the pointing stick.
    - If you set the pace too fast, you might encounter unintended clicks and find **Press-to-Select** difficult to use.
6. Click **OK** to save your settings.

## Enabling TrackPoint Scrolling Tips

You can view information on the TrackPoint center button by enabling the TrackPoint Scrolling Tips.

To enable the TrackPoint Scrolling Tips to view information on the TrackPoint center button, do the following:

1. Click the **USB TrackPoint** icon.
2. Select **TrackPoint Properties**.
3. Click the **USB TrackPoint** tab.
4. Select **Enable TrackPoint Scrolling Tips**.
5. Click **OK**.
6. Press the center button for three times. The TrackPoint Scrolling Tips window opens.
7. Click **Yes**. The Using the TrackPoint Centre Button window opens.

## Choosing Scrolling or Magnifying Glass function

After clicking the **USB TrackPoint** icon, you can find the following three options:

- **Scrolling**: This option enables you to scroll Web pages, long documents, large spreadsheets, or other windows by pressing the center button and moving the pointing stick even if the target window is not active.
- **Magnifying Glass**: The Magnifying Glass function is used to enlarge an area of your screen. You can move the enlarged area by pressing the center button and moving the pointing stick.
- **Neither**: When this option is selected, the TrackPoint will perform its default functions. The default functions vary according to the operating systems.

You can also find the three options by doing the following:

1. Click the **USB TrackPoint** icon.
2. Select **TrackPoint Properties**.
3. Click the **USB TrackPoint** tab.
4. In the **Choosing Scrolling or Magnifying Glass Function** area, you can find the three options.

You can adjust settings for the center button by clicking **Settings in the Choosing Scrolling or Magnifying Glass Function** area. In the Center Button - Settings window, you can customize the following:

- **Scrolling Type**: There are three scrolling types for you to choose from:
  - **Standard**: If you select this option, the scrolling function works on most of the applications.
  - **Smooth**: If you select this option, the center button functions as the middle button on a mouse. For some target applications, smooth scrolling might not work. In this case, try **Standard** or **Auto-select**.
  - **Auto-select**: This option automatically selects **Standard** or **Smooth**, depending on the application being scrolled.
- **Magnifying Glass**: This area offers the following options for the Magnifying Glass feature:

Select the magnification power:

  - 1xZoom
  - 2xZoom
  - 4xZoom
  - 8xZoom

Select the size of the magnifying glass:

  - **Small**: 160x120

- **Medium:** 240x180
- **Large:** 320x240
- **Custom:** Use this option to select a custom size for the Magnifying Glass window. You can either enter the desired height and width or simply drag the frame of the Magnifying Glass window with the center button.

You can change the magnifying power or the size of the Magnifying Glass window by pressing the left or right button while holding down the center button, and then selecting the item on the pop-up menu.

**Note:** It is harder to move the Magnifying Glass window when it becomes larger.

You can also activate a Magnifying Glass window using the center button by doing the following:

1. Place the cursor over the item that you want to magnify.
2. Press and hold down the center button. The Magnifying Glass window opens and the area beneath the pointer on your screen is magnified. The Magnifying Glass icon will also appear on your screen to indicate that the Magnifying Glass function is enabled.
3. To position the Magnifying Glass window over a different item, move the pointing stick to the target item while continuing holding down the center button.

You can also copy Magnifying Glass to Clipboard by pressing the left or right button while holding the center button down and selecting Copy Magnifying Glass to Clipboard in the pop-up window.

**Notes:**

1. With the Magnifying Glass window open, you can keep the contents in the Magnifying Glass window in focus while moving the pointer and activate another window.
2. The Magnifying Glass window will disappear automatically after several seconds. You can also close the Magnifying Glass window by pressing the center button once again.

- **Controlling Method:** There are two options as follows:

- **Press Center Button, then use TrackPoint:** If you select this option, you will be able to control the scrolling or the Magnifying Glass window by holding down the center button and moving the pointing stick.

**Note:** If you are not holding down the center button, the pointing stick only controls the cursor and the Magnifying Glass window cannot be moved.

- **Use TrackPoint:** This option enables you to move the Magnifying Glass window without holding down the center button. You can cancel the magnifying operation by clicking the center button. And you can then control the cursor with an externally attached mouse.

**Note:** You can still use the TrackPoint to control the cursor by pressing the center button and moving the pointing stick in the direction in which you want the cursor to move.

## Changing button assignments

The left and right buttons of your ThinkPad USB keyboard with TrackPoint work as the left and right buttons on a conventional mouse. The left button is set to click or double-click items. The right button is set to open context-related menus and explanations. You can switch the functions of the two buttons by doing the following:

1. Click the **USB TrackPoint** icon.
2. Select **TrackPoint Properties**. The Mouse Properties window opens.
3. Click the **Buttons** tab.
4. Select **Switch primary and secondary buttons**.

**Note:** Depending on your operating system, when you make your selection, the mouse will display different color or graphics to show the functions that you have assigned.

## Using the Fn function key

The following table describes the functions of Fn key combinations.

Function key combination	Function	Function Supported By
Fn+F2	Launch the program for locking the computer. <b>Note:</b> The combination is workable for Windows 8 without on screen displays.	Installed applications and the device driver
Fn+F3	Launch the Power Manager program. <b>Note:</b> The combination is not workable for Windows 8.	Installed applications and the device driver
Fn+F4	Put the computer into standby mode. <b>Notes:</b> To return to normal operation, do one of the following: <ul style="list-style-type: none"><li>• For Windows XP , press the Fn key on your ThinkPad computer.</li><li>• For Windows vista, Windows 7, or Windows 8, press any key.</li></ul>	Operating system
Fn+F5	<ul style="list-style-type: none"><li>• Launch the wireless network application.</li><li>• For Windows 8: Launch Windows 8 inbox Airplane charm and enable Airplane mode.</li></ul>	Installed applications and the device driver
Fn+F6	<ul style="list-style-type: none"><li>• Launch camera settings and microphone mute button settings.</li><li>• For Windows 8: Enable camera mute mode or launch the Lenovo Settings program.</li></ul> <b>Note:</b> Only works with the ThinkPad T400s series currently.	Installed applications and the device driver
Fn+F7	<ul style="list-style-type: none"><li>• Launch the presentation and display scheme.</li><li>• For Windows 8: Launch Windows 8 inbox display switching charm</li></ul>	Installed applications, Windows 7 operating system internal applications, and the device driver
Fn+F8	Open the Mouse Properties window.	The device driver
Fn+F12	Put the computer into hibernation mode. <b>Note:</b> To return to normal operation, press the power button on the keyboard of your ThinkPad computer for several seconds.	The device driver
Fn+Spacebar	FullScreen Magnifier <b>Note:</b> The combination is not workable for Windows 8.	Installed applications and the device driver
Fn+Home	The computer display becomes brighter. <b>Note:</b> The combination is workable for Windows 8 without on screen displays.	Installed applications and the device driver

Function key combination	Function	Function Supported By
Fn+End	The computer display becomes dimmer. <b>Note:</b> The combination is workable for Windows 8 without on screen displays.	Installed applications and the device driver
Fn+PrtSc/SysRq	Has the same function as the PrtSc/SysRq key on a conventional keyboard.	Operating system
Fn+Pause/Break	Has the same function as the Pause/Break key on a conventional keyboard.	Operating system

If the Fn key combinations do not work correctly on some ThinkPad computers with the Windows XP operating system, ensure that the computer has the latest version of the Lenovo System Interface driver installed.

The most up-to-date software and device drivers for your ThinkPad computer are always available for download at <http://www.lenovo.com/support>.

**Notes:**

- Ensure that the Fn key combinations are functional on the keyboard of your ThinkPad computer. There are software dependencies to get the most complete Fn key combination support for your ThinkPad computer.
- Most of the Fn key combinations do not work with the ThinkPad SL series, Lenovo desktop computers, and computers from other manufacturers.
- Some Fn key combinations have different functions on different ThinkPad computer models.

For more information about the Fn key combinations, refer to the Access Help information system that comes with the ThinkPad computer.

---

## Chapter 4. Troubleshooting

This chapter contains troubleshooting information for the ThinkPad USB Keyboard with TrackPoint.

**Problem:** All or some of the Fn function key combinations or function keys do not work.

**Solution:** Read the following for solutions or explanations:

- Ensure all the Fn function key combinations are functional on the keyboard of your ThinkPad computer. There are software dependencies to get the most complete Fn key and hot key combination support for your ThinkPad computer. You can get more detailed information about the Fn function key combinations from the documentation that comes with your ThinkPad computer. You might need to download the updated software components for your ThinkPad computer at <http://www.lenovo.com/support>.
- Ensure that you have correctly installed the keyboard driver.
- The Fn function key combinations work with all the ThinkPad computers except SL series. Most of the Fn function key combinations do not work with SL series, Lenovo desktop computers, or computers from other manufacturers.
- It is normal if you found some of the Fn function key combinations act differently on different ThinkPad computer models due to the differences in internal notebook applications.
- Some function keys are not supported on the Windows 8 operating system.

**Problem:** The TrackPoint cursor drifts when the computer is turned on or after it resumes normal operation.

**Solution:** The cursor might drift when you are not using the TrackPoint during normal operation. This is a normal feature of the TrackPoint and is not a defect. Cursor drifting might occur for several seconds under the following conditions:

- The computer is turned on.
- The computer resumes normal operation.
- The TrackPoint pointing stick is kept pressed for a long time.
- The temperature changes.

**Problem:** A number appears when you type a letter.

**Solution:** This is because the numeric lock mode is enabled. To disable the numeric lock mode, press Fn+ScrLk/NmLk.

**Problem:** Pressing the ThinkVantage button opens the Windows System Information window, rather than any of the following programs:

- Lenovo Care
- Lenovo Device Experience
- ThinkVantage Productivity Center
- Lenovo SimpleTap
- Lenovo Solution Center
- Lenovo ThinkVantage Toolbox

**Solution:** The listed programs might not be available on your computer.

**Problem:** You pressed a button once, but the computer responded as if you pressed it twice.

**Solution:** Depending on your operating system, adjust the keyboard Repeat delay or Repeat rate settings by doing one of the following:

- For Windows XP and Windows Vista:
  1. Depending on your **Start** menu mode, click **Start → Control Panel** or **Start → Settings → Control Panel**
  2. Depending on your Control Panel mode, click or double-click **Keyboard**.
  3. Click the **Speed** tab.
  4. Move the Repeat delay slider to **Long** or the Repeat rate slider to **Slow**.
  5. Click **OK**.
- For Windows 7:
  1. Depending on your **Start** menu mode, click **Start → Control Panel** or **Start → Settings → Control Panel**
  2. Click the **View by** menu and select **Small icons** or **Large icons**. The **All Control Panel Items** category is expanded.
  3. Click **Keyboard**.
  4. Click the **Speed** tab.
  5. Move the Repeat delay slider to **Long** or the Repeat rate slider to **Slow**.
  6. Click **OK**.
- For Windows 8:
  - From the Start screen
    1. Move the cursor to the top-right or bottom-right corner of the screen to display the charms, and then click **Search → Control Panel**. The Control Panel window is displayed.
    2. Click the **View by** menu and select the **Small icons** or **Large icons** view. The **All Control Panel Items** category is expanded.
    3. Click **Keyboard**.
    4. Click the **Speed** tab.
    5. Move the Repeat delay slider to **Long** or the Repeat rate slider to **Slow**.
    6. Click **OK**.
  - From the desktop
    1. Right-click anywhere on the desktop, and then click **Personalize**. The Personalization window opens.
    2. Click **Control Panel Home** in the top-left area. The Control Panel window opens.
    3. Click the **View by** menu and select the **Small icons** or **Large icons** view. The **All Control Panel Items** category is expanded.
    4. Click **Keyboard**.
    5. Click the **Speed** tab.
    6. Move the Repeat delay slider to **Long** or the Repeat rate slider to **Slow**.
    7. Click **OK**.



**Problem:** The keyboard does not function correctly.

**Solution:** Verify if the keyboard cable is firmly connected to the USB connector, or reconnect the keyboard cable to another USB connector on the computer. If the problem persists, contact your Lenovo service representative.



---

## Appendix A. Product specifications

The following table describes the keyboard specifications.

<b>Keys</b>	87-92 (Varies by country)
<b>Color</b>	Raven black
<b>Dimensions (Height x Width x Depth)</b>	312.8 mm x 220.3 mm x 19 mm (12.3 inches x 8.67 inches x 0.75 inch)
<b>Weight</b>	440 grams (0.97 pounds)
<b>PC interface</b>	USB 2.0 low speed
<b>Connector type</b>	4-pin USB Type A
<b>Cable length</b>	1.5 m (4.92 feet)
<b>Operating voltage</b>	+5 V (Typical)
<b>Power consumption</b>	100 mA maximum
<b>System interface</b>	USB Type A connector
<b>Supported operating system</b>	Windows 8 (32-bit and 64-bit) Windows 7 (32-bit and 64-bit) Windows Vista (32-bit and 64-bit) Windows XP (32-bit)



---

## Appendix B. Service and Support

The following information describes the technical support that is available for your product, during the warranty period or throughout the life of your product. Refer to the Lenovo Limited Warranty for a full explanation of Lenovo warranty terms.

---

### Online technical support

Online technical support is available during the lifetime of a product at:  
<http://www.lenovo.com/support>

Product replacement assistance or exchange of defective components also is available during the warranty period. In addition, if your option is installed in a Lenovo computer, you might be entitled to service at your location. A Lenovo technical support representative can help you determine the best alternative.

---

### Telephone technical support

Installation and configuration support through the Customer Support Center will be available until 90 days after the option has been withdrawn from marketing. After that time, the support is cancelled, or made available for a fee, at Lenovo's discretion. Additional support is also available for a nominal fee.

Before contacting a Lenovo technical support representative, please have the following information available: option name and number, proof of purchase, computer manufacturer, model, serial number and manual, the exact wording of any error message, description of the problem, and the hardware and software configuration information for your system.

Your technical support representative might want to walk you through the problem while you are at your computer during the call.

Telephone numbers are subject to change without notice. The most up-to-date telephone list for Lenovo Support is always available at <http://www.lenovo.com/support/phone>. If the telephone number for your country or region is not listed, contact your Lenovo reseller or Lenovo marketing representative.



---

## Appendix C. Lenovo Limited Warranty

L505-0010-02 08/2011

This Lenovo Limited Warranty consists of the following parts:

### Part 1 - General Terms

### Part 2 - Country-specific Terms

### Part 3 - Warranty Service Information

The terms of **Part 2** replace or modify terms of **Part 1** as specified for a particular country.

---

## Part 1 - General Terms

This Lenovo Limited Warranty applies only to Lenovo hardware products you purchased for your own use and not for resale. This Lenovo Limited Warranty is available in other languages at [www.lenovo.com/warranty](http://www.lenovo.com/warranty).

### What this Warranty Covers

Lenovo warrants that each Lenovo hardware product that you purchase is free from defects in materials and workmanship under normal use during the warranty period. The warranty period for the product starts on the original date of purchase as shown on your sales receipt or invoice or as may be otherwise specified by Lenovo. The warranty period and type of warranty service that apply to your product are as specified in “**Part 3 - Warranty Service Information**” below. This warranty only applies to products in the country or region of purchase.

**THIS WARRANTY IS YOUR EXCLUSIVE WARRANTY AND REPLACES ALL OTHER WARRANTIES OR CONDITIONS, EXPRESS OR IMPLIED, INCLUDING, BUT NOT LIMITED TO, ANY IMPLIED WARRANTIES OR CONDITIONS OF MERCHANTABILITY OR FITNESS FOR A PARTICULAR PURPOSE. AS SOME STATES OR JURISDICTIONS DO NOT ALLOW THE EXCLUSION OF EXPRESS OR IMPLIED WARRANTIES, THE ABOVE EXCLUSION MAY NOT APPLY TO YOU. IN THAT EVENT, SUCH WARRANTIES APPLY ONLY TO THE EXTENT AND FOR SUCH DURATION AS REQUIRED BY LAW AND ARE LIMITED IN DURATION TO THE WARRANTY PERIOD. AS SOME STATES OR JURISDICTIONS DO NOT ALLOW LIMITATIONS ON THE DURATION OF AN IMPLIED WARRANTY, THE ABOVE LIMITATION ON DURATION MAY NOT APPLY TO YOU.**

### How to Obtain Warranty Service

If the product does not function as warranted during the warranty period, you may obtain warranty service by contacting Lenovo or a Lenovo approved Service Provider. A list of approved Service Providers and their telephone numbers is available at: [www.lenovo.com/support/phone](http://www.lenovo.com/support/phone).

Warranty service may not be available in all locations and may differ from location to location. Charges may apply outside a Service Provider’s normal service area. Contact a local Service Provider for information specific to your location.

### Customer Responsibilities for Warranty Service

Before warranty service is provided, you must take the following steps:

- follow the service request procedures specified by the Service Provider;

- backup or secure all programs and data contained in the product;
- provide the Service Provider with all system keys or passwords;
- provide the Service Provider with sufficient, free, and safe access to your facilities to perform service;
- remove all data, including confidential information, proprietary information and personal information, from the product or, if you are unable to remove any such information, modify the information to prevent its access by another party or so that it is not personal data under applicable law. The Service Provider shall not be responsible for the loss or disclosure of any data, including confidential information, proprietary information, or personal information, on a product returned or accessed for warranty service;
- remove all features, parts, options, alterations, and attachments not covered by the warranty;
- ensure that the product or part is free of any legal restrictions that prevent its replacement;
- if you are not the owner of a product or part, obtain authorization from the owner for the Service Provider to provide warranty service.

### **What Your Service Provider Will Do to Correct Problems**

When you contact a Service Provider, you must follow the specified problem determination and resolution procedures.

The Service Provider will attempt to diagnose and resolve your problem by telephone, e-mail or remote assistance. The Service Provider may direct you to download and install designated software updates.

Some problems may be resolved with a replacement part that you install yourself called a “Customer Replaceable Unit” or “CRU.” If so, the Service Provider will ship the CRU to you for you to install.

If your problem cannot be resolved over the telephone; through the application of software updates or the installation of a CRU, the Service Provider will arrange for service under the type of warranty service designated for the product under “**Part 3 - Warranty Service Information**” below.

If the Service Provider determines that it is unable to repair your product, the Service Provider will replace it with one that is at least functionally equivalent.

If the Service Provider determines that it is unable to either repair or replace your product, your sole remedy under this Limited Warranty is to return the product to your place of purchase or to Lenovo for a refund of your purchase price.

### **Replacement Products and Parts**

When warranty service involves the replacement of a product or part, the replaced product or part becomes Lenovo’s property and the replacement product or part becomes your property. Only unaltered Lenovo products and parts are eligible for replacement. The replacement product or part provided by Lenovo may not be new, but it will be in good working order and at least functionally equivalent to the original product or part. The replacement product or part shall be warranted for the balance of the period remaining on the original product.

### **Use of Personal Contact Information**

If you obtain service under this warranty, you authorize Lenovo to store, use and process information about your warranty service and your contact information, including name, phone numbers, address, and e-mail address. Lenovo may use this information to perform service under this warranty. We may contact you to inquire about your satisfaction with our warranty service or to notify you about any product recalls or safety issues. In accomplishing these purposes, you authorize Lenovo to transfer your information to any country where we do business and to provide it to entities acting on our behalf. We may also disclose it where required by law. Lenovo’s privacy policy is available at [www.lenovo.com/](http://www.lenovo.com/).



## **What this Warranty Does not Cover**

This warranty does not cover the following:

- uninterrupted or error-free operation of a product;
- loss of, or damage to, your data by a product;
- any software programs, whether provided with the product or installed subsequently;
- failure or damage resulting from misuse, abuse, accident, modification, unsuitable physical or operating environment, natural disasters, power surges, improper maintenance, or use not in accordance with product information materials;
- damage caused by a non-authorized service provider;
- failure of, or damage caused by, any third party products, including those that Lenovo may provide or integrate into the Lenovo product at your request;
- any technical or other support, such as assistance with “how-to” questions and those regarding product set-up and installation;
- products or parts with an altered identification label or from which the identification label has been removed.

## **Limitation of Liability**

Lenovo is responsible for loss or damage to your product only while it is in the Service Provider’s possession or in transit, if the Service Provider is responsible for the transportation.

Neither Lenovo nor the Service Provider is responsible for loss or disclosure of any data, including confidential information, proprietary information, or personal information, contained in a product.

**UNDER NO CIRCUMSTANCES, AND NOTWITHSTANDING THE FAILURE OF ESSENTIAL PURPOSE OF ANY REMEDY SET FORTH HEREIN, SHALL LENOVO, ITS AFFILIATES, SUPPLIERS, RESELLERS, OR SERVICE PROVIDERS BE LIABLE FOR ANY OF THE FOLLOWING EVEN IF INFORMED OF THEIR POSSIBILITY AND REGARDLESS OF WHETHER THE CLAIM IS BASED IN CONTRACT, WARRANTY, NEGLIGENCE, STRICT LIABILITY OR OTHER THEORY OF LIABILITY: 1) THIRD PARTY CLAIMS AGAINST YOU FOR DAMAGES; 2) LOSS, DAMAGE OR DISCLOSURE OF YOUR DATA; 3) SPECIAL, INCIDENTAL, PUNITIVE, INDIRECT OR CONSEQUENTIAL DAMAGES, INCLUDING BUT NOT LIMITED TO LOST PROFITS, BUSINESS REVENUE, GOODWILL OR ANTICIPATED SAVINGS. IN NO CASE SHALL THE TOTAL LIABILITY OF LENOVO, ITS AFFILIATES, SUPPLIERS, RESELLERS OR SERVICE PROVIDERS FOR DAMAGES FROM ANY CAUSE EXCEED THE AMOUNT OF ACTUAL DIRECT DAMAGES, NOT TO EXCEED THE AMOUNT PAID FOR THE PRODUCT.**

**THE FOREGOING LIMITATIONS DO NOT APPLY TO DAMAGES FOR BODILY INJURY (INCLUDING DEATH), DAMAGE TO REAL PROPERTY OR DAMAGE TO TANGIBLE PERSONAL PROPERTY FOR WHICH LENOVO IS LIABLE UNDER LAW. AS SOME STATES OR JURISDICTIONS DO NOT ALLOW THE EXCLUSION OR LIMITATION OF INCIDENTAL OR CONSEQUENTIAL DAMAGES, THE ABOVE LIMITATION OR EXCLUSION MAY NOT APPLY TO YOU.**

## **Your Other Rights**

**THIS WARRANTY GIVES YOU SPECIFIC LEGAL RIGHTS. YOU MAY HAVE OTHER RIGHTS ACCORDING TO THE APPLICABLE LAWS OF YOUR STATE OR JURISDICTION. YOU MAY ALSO HAVE OTHER RIGHTS UNDER A WRITTEN AGREEMENT WITH LENOVO. NOTHING IN THIS WARRANTY AFFECTS STATUTORY RIGHTS, INCLUDING RIGHTS OF CONSUMERS UNDER LAWS OR REGULATIONS GOVERNING THE SALE OF CONSUMER GOODS THAT CANNOT BE WAIVED OR LIMITED BY CONTRACT.**

---

## Part 2 - Country-specific Terms

### Australia

“Lenovo” means Lenovo (Australia & New Zealand) Pty Limited ABN 70 112 394 411. Address: Level 10, North Tower, 1-5 Railway Street, Chatswood, NSW, 2067. Telephone: +61 2 8003 8200. Email: lensyd\_au@lenovo.com

*The following replaces the same section in Part 1:*

#### **What this Warranty Covers:**

Lenovo warrants that each hardware product that you purchase is free from defects in materials and workmanship under normal use and conditions during the warranty period. If the product fails due to a covered defect during the warranty period, Lenovo will provide you a remedy under this Limited Warranty. The warranty period for the product starts on the original date of purchase specified on your sales receipt or invoice unless Lenovo informs you otherwise in writing. The warranty period and type of warranty service that apply to your product are set forth below in **Part 3 - Warranty Service Information**.

**THE BENEFITS GIVEN BY THIS WARRANTY ARE IN ADDITION TO YOUR RIGHTS AND REMEDIES AT LAW, INCLUDING THOSE UNDER THE AUSTRALIAN CONSUMER LAW.**

*The following replaces the same section in Part 1:*

#### **Replacement Products and Parts:**

When warranty service involves the replacement of a product or part, the replaced product or part becomes Lenovo’s property and the replacement product or part becomes your property. Only unaltered Lenovo products and parts are eligible for replacement. The replacement product or part provided by Lenovo may not be new, but it will be in good working order and at least functionally equivalent to the original product or part. The replacement product or part shall be warranted for the balance of the period remaining on the original product. Products and parts presented for repair may be replaced by refurbished products or parts of the same type rather than being repaired. Refurbished parts may be used to repair the product; and repair of the product may result in loss of data, if the product is capable of retaining user-generated data.

*The following is added to the same section in Part 1:*

#### **Use of Personal Contact Information:**

Lenovo will not be able to perform our service under this warranty if you refuse to provide your information or do not wish us to transfer your information to our agent or contractor. You have the right to access your personal contact information and request correction of any errors in it pursuant to the Privacy Act 1988 by contacting Lenovo.

*The following replaces the same section in Part 1:*

#### **Limitation of Liability:**

Lenovo is responsible for loss or damage to your product only while it is in the Service Provider’s possession or in transit, if the Service Provider is responsible for the transportation.

Neither Lenovo nor the Service Provider is responsible for loss or disclosure of any data, including confidential information, proprietary information, or personal information, contained in a product.

**TO THE EXTENT PERMITTED BY LAW, UNDER NO CIRCUMSTANCES AND NOTWITHSTANDING THE FAILURE OF ESSENTIAL PURPOSE OF ANY REMEDY SET FORTH HEREIN, SHALL LENOVO, ITS AFFILIATES, SUPPLIERS, RESELLERS, OR SERVICE PROVIDERS BE LIABLE FOR ANY OF THE FOLLOWING EVEN IF INFORMED OF THEIR POSSIBILITY AND REGARDLESS OF WHETHER THE CLAIM IS BASED IN CONTRACT, WARRANTY, NEGLIGENCE, STRICT LIABILITY OR OTHER THEORY OF LIABILITY: 1) THIRD PARTY CLAIMS AGAINST YOU FOR DAMAGES; 2) LOSS, DAMAGE OR DISCLOSURE OF YOUR DATA; 3) SPECIAL, INCIDENTAL, PUNITIVE, INDIRECT OR CONSEQUENTIAL DAMAGES, INCLUDING BUT NOT LIMITED TO LOST PROFITS, BUSINESS REVENUE, GOODWILL OR ANTICIPATED SAVINGS. IN NO CASE SHALL THE TOTAL LIABILITY OF LENOVO, ITS AFFILIATES, SUPPLIERS, RESELLERS OR SERVICE PROVIDERS FOR DAMAGES FROM ANY CAUSE EXCEED THE AMOUNT OF ACTUAL DIRECT DAMAGES, NOT TO EXCEED THE AMOUNT PAID FOR THE PRODUCT.**

**THE FOREGOING LIMITATIONS DO NOT APPLY TO DAMAGES FOR BODILY INJURY (INCLUDING DEATH), DAMAGE TO REAL PROPERTY OR DAMAGE TO TANGIBLE PERSONAL PROPERTY FOR WHICH LENOVO IS LIABLE UNDER LAW.**

*The following replaces the same section in Part 1:*

**Your Other Rights:**

**THIS WARRANTY GIVES YOU SPECIFIC LEGAL RIGHTS. YOU ALSO HAVE OTHER RIGHTS AT LAW, INCLUDING UNDER THE AUSTRALIAN CONSUMER LAW. NOTHING IN THIS WARRANTY AFFECTS STATUTORY RIGHTS OR RIGHTS AT LAW, INCLUDING RIGHTS THAT CANNOT BE WAIVED OR LIMITED BY CONTRACT.**

For example, our products come with guarantees that cannot be excluded under the Australian Consumer Law. You are entitled to a replacement or refund for a major failure and compensation for any other reasonably foreseeable loss or damage. You are also entitled to have the products repaired or replaced if the products fail to be of acceptable quality and the failure does not amount to a major failure.

**New Zealand**

*The following is added to the same section in Part 1:*

**Use of Personal Information:**

Lenovo will not be able to perform our service under this warranty if you refuse to provide your information or do not wish us to transfer your information to our agent or contractor. You have the right to access your personal information and request correction of any errors in it pursuant to the Privacy Act 1993 by contacting Lenovo (Australia & New Zealand) Pty Limited ABN 70 112 394 411. Address: Level 10, North Tower, 1-5 Railway Street, Chatswood, NSW, 2067. Telephone: 61 2 8003 8200. Email: lensyd\_au@lenovo.com

**Bangladesh, Cambodia, India, Indonesia, Nepal, Philippines, Vietnam and Sri Lanka**

*The following is added to Part 1:*

**Dispute Resolution**

Disputes arising out of or in connection with this warranty shall be finally settled by arbitration held in Singapore. This warranty shall be governed, construed and enforced in accordance with the laws of Singapore, without regard to conflict of laws. If you acquired the product in **India**, disputes arising out of or in connection with this warranty shall be finally settled by arbitration held in Bangalore, India. Arbitration in Singapore shall be held in accordance with the Arbitration Rules of Singapore International Arbitration Center (“SIAC Rules”) then in effect. Arbitration in India shall be held in accordance with the laws of India then in effect. The arbitration award shall be final and binding on the parties without appeal. Any award

shall be in writing and set forth the findings of fact and the conclusions of law. All arbitration proceedings, including all documents presented in such proceedings shall be conducted in the English language. The English language version of this warranty prevails over any other language version in such proceedings.

### **European Economic Area (EEA)**

*The following is added to Part 1:*

Customers in the EEA may contact Lenovo at the following address: EMEA Service Organisation, Lenovo (International) B.V., Floor 2, Einsteinova 21, 851 01, Bratislava, Slovakia. Service under this warranty for Lenovo hardware products purchased in EEA countries may be obtained in any EEA country in which the product has been announced and made available by Lenovo.

### **Russia**

*The following is added to Part 1:*

### **Product Service Life**

The product service life is four (4) years from the original date of purchase.

---

## **Part 3 - Warranty Service Information**

<b>Product Type</b>	<b>Country or Region of Purchase</b>	<b>Warranty Period</b>	<b>Type of Warranty Service</b>
ThinkPad USB Keyboard with TrackPoint	Worldwide	3 years	1, 4

If required, your Service Provider will provide repair or exchange service depending on the type of warranty service specified for your product and the available service. Scheduling of service will depend upon the time of your call, parts availability, and other factors.

### **Types of Warranty Service**

#### **1. Customer Replaceable Unit (“CRU”) Service**

Under CRU Service, the Service Provider will ship CRUs to you at its cost for installation by you. CRU information and replacement instructions are shipped with your product and are available from Lenovo at any time upon request. CRUs that are easily installed by you are called “Self-service CRUs”. “Optional-service CRUs” are CRUs that may require some technical skill and tools. Installation of Self-service CRUs is your responsibility. You may request that a Service Provider install Optional-service CRUs under one of the other types of warranty service designated for your product. An optional service offering may be available for purchase from a Service Provider or Lenovo under which Self-service CRUs would be installed for you. You may find a list of CRUs and their designation in the publication that was shipped with your product or at [www.lenovo.com/CRUs](http://www.lenovo.com/CRUs). The requirement to return a defective CRU, if any, will be specified in the instructions shipped with a replacement CRU. When return is required: 1) return instructions, a prepaid return shipping label, and a container will be included with the replacement CRU; and 2) you may be charged for the replacement CRU if the Service Provider does not receive the defective CRU from you within thirty (30) days of your receipt of the replacement CRU.

#### **2. On-site Service**

Under On-Site Service, a Service Provider will either repair or exchange the product at your location. You must provide a suitable working area to allow disassembly and reassembly of the product. Some repairs

may need to be completed at a service center. If so, the Service Provider will send the product to the service center at its expense.

### **3. Courier or Depot Service**

Under Courier or Depot Service, your product will be repaired or exchanged at a designated service center, with shipping at the expense of the Service Provider. You are responsible for disconnecting the product and packing it in a shipping container provided to you to return your product to a designated service center. A courier will pick up your product and deliver it to the designated service center. The service center will return the product to you at its expense.

### **4. Customer Carry-In Service**

Under Customer Carry-In Service, your product will be repaired or exchanged after you deliver it to a designated service center at your risk and expense. After the product has been repaired or exchanged, it will be made available to you for collection. If you fail to collect the product, the Service Provider may dispose of the product as it sees fit, with no liability to you.

### **5. Mail-In Service**

Under Mail-In Service, your product will be repaired or exchanged at a designated service center after you deliver it at your risk and expense. After the product has been repaired or exchanged, it will be returned to you at Lenovo's risk and expense, unless the Service Provider specifies otherwise.

### **6. Customer Two-Way Mail-In Service**

Under Customer Two-Way Mail-In Service, your product will be repaired or exchanged after you deliver it to a designated service center at your risk and expense. After the product has been repaired or exchanged, it will be made available to you for return shipping at your risk and expense. If you fail to arrange return shipment, the Service Provider may dispose of the product as it sees fit, with no liability to you.

### **7. Product Exchange Service**

Under Product Exchange Service, Lenovo will ship a replacement product to your location. You are responsible for its installation and verification of its operation. The replacement product becomes your property in exchange for the failed product, which becomes the property of Lenovo. You must pack the failed product in the shipping carton in which you received the replacement product and return it to Lenovo. Transportation charges, both ways, shall be at Lenovo's expense. If you fail to use the carton in which the replacement product was received, you may be responsible for any damage to the failed product occurring during shipment. You may be charged for the replacement product if Lenovo does not receive the failed product within thirty (30) days of your receipt of the replacement product.

---

## **Suplemento de Garantía para México**

Este Suplemento se considera parte integrante de la Garantía Limitada de Lenovo y será efectivo única y exclusivamente para los productos distribuidos y comercializados dentro del Territorio de los Estados Unidos Mexicanos. En caso de conflicto, se aplicarán los términos de este Suplemento.

Todos los programas de software precargados en el equipo sólo tendrán una garantía de treinta (30) días por defectos de instalación desde la fecha de compra. Lenovo no es responsable de la información incluida en dichos programas de software y/o cualquier programa de software adicional instalado por Usted o instalado después de la compra del producto.

Los servicios no cubiertos por la garantía se cargarán al usuario final, previa obtención de una autorización.

En el caso de que se precise una reparación cubierta por la garantía, por favor, llame al Centro de soporte al cliente al 001-866-434-2080, donde le dirigirán al Centro de servicio autorizado más cercano. Si no existiese ningún Centro de servicio autorizado en su ciudad, población o en un radio de 70 kilómetros de su ciudad o población, la garantía incluirá cualquier gasto de entrega razonable relacionado con el transporte del producto a su Centro de servicio autorizado más cercano. Por favor, llame al Centro de servicio autorizado más cercano para obtener las aprobaciones necesarias o la información relacionada con el envío del producto y la dirección de envío.

Para obtener una lista de los Centros de servicio autorizados, por favor, visite:  
<http://www.lenovo.com/mx/es/servicios>

**Importado por:**  
**Lenovo México S. de R.L. de C.V.**  
**Av. Santa Fe 505, Piso 15**  
**Col. Cruz Manca**  
**Cuajimalpa, D.F., México**  
**C.P. 05349**  
**Tel. (55) 5000 8500**

---

## Appendix D. Electronic emission notices

The following information refers to the ThinkPad USB Keyboard with TrackPoint.

---

### Federal Communications Commission Declaration of Conformity

#### ThinkPad USB Keyboard with TrackPoint - SK-8855

This equipment has been tested and found to comply with the limits for a Class B digital device, pursuant to Part 15 of the FCC Rules. These limits are designed to provide reasonable protection against harmful interference in a residential installation. This equipment generates, uses, and can radiate radio frequency energy and, if not installed and used in accordance with the instructions, may cause harmful interference to radio communications. However, there is no guarantee that interference will not occur in a particular installation. If this equipment does cause harmful interference to radio or television reception, which can be determined by turning the equipment off and on, the user is encouraged to try to correct the interference by one or more of the following measures:

- Reorient or relocate the receiving antenna.
- Increase the separation between the equipment and receiver.
- Connect the equipment into an outlet on a circuit different from that to which the receiver is connected.
- Consult an authorized dealer or service representative for help.

Lenovo is not responsible for any radio or television interference caused by using other than specified or recommended cables and connectors or by unauthorized changes or modifications to this equipment. Unauthorized changes or modifications could void the user's authority to operate the equipment.

This device complies with Part 15 of the FCC Rules. Operation is subject to the following two conditions: (1) this device may not cause harmful interference, and (2) this device must accept any interference received, including interference that may cause undesired operation.

Responsible Party:  
Lenovo (United States) Incorporated  
1009 Think Place - Building One  
Morrisville, NC 27560  
Phone Number: 919-294-5900



#### Industry Canada Class B emission compliance statement

This Class B digital apparatus complies with Canadian ICES-003.

Cet appareil numérique de la classe B est conforme à la norme NMB-003 du Canada.

#### European Union - Compliance to the Electromagnetic Compatibility Directive

This product is in conformity with the protection requirements of EU Council Directive 2004/108/EC on the approximation of the laws of the Member States relating to electromagnetic compatibility. Lenovo cannot accept responsibility for any failure to satisfy the protection requirements resulting from a non-recommended modification of the product, including the installation of option cards from other manufacturers.

This product has been tested and found to comply with the limits for Class B Information Technology Equipment according to European Standard EN 55022. The limits for Class B equipment were derived for typical residential environments to provide reasonable protection against interference with licensed communication devices.

Lenovo, Einsteinova 21, 851 01 Bratislava, Slovakia



## German Class B compliance statement

### Deutschsprachiger EU Hinweis:

#### Hinweis für Geräte der Klasse B EU-Richtlinie zur Elektromagnetischen Verträglichkeit

Dieses Produkt entspricht den Schutzanforderungen der EU-Richtlinie 2004/108/EG (früher 89/336/EWG) zur Angleichung der Rechtsvorschriften über die elektromagnetische Verträglichkeit in den EU-Mitgliedsstaaten und hält die Grenzwerte der EN 55022 Klasse B ein.

Um dieses sicherzustellen, sind die Geräte wie in den Handbüchern beschrieben zu installieren und zu betreiben. Des Weiteren dürfen auch nur von der Lenovo empfohlene Kabel angeschlossen werden. Lenovo übernimmt keine Verantwortung für die Einhaltung der Schutzanforderungen, wenn das Produkt ohne Zustimmung der Lenovo verändert bzw. wenn Erweiterungskomponenten von Fremdherstellern ohne Empfehlung der Lenovo gesteckt/eingebaut werden.

### Deutschland:

#### Einhaltung des Gesetzes über die elektromagnetische Verträglichkeit von Betriebsmitteln

Dieses Produkt entspricht dem „Gesetz über die elektromagnetische Verträglichkeit von Betriebsmitteln“ EMVG (früher „Gesetz über die elektromagnetische Verträglichkeit von Geräten“). Dies ist die Umsetzung der EU-Richtlinie 2004/108/EG (früher 89/336/EWG) in der Bundesrepublik Deutschland.

#### Zulassungsbescheinigung laut dem Deutschen Gesetz über die elektromagnetische Verträglichkeit von Betriebsmitteln, EMVG vom 20. Juli 2007 (früher Gesetz über die elektromagnetische Verträglichkeit von Geräten), bzw. der EMV EG Richtlinie 2004/108/EC (früher 89/336/EWG), für Geräte der Klasse B.

Dieses Gerät ist berechtigt, in Übereinstimmung mit dem Deutschen EMVG das EG-Konformitätszeichen - CE - zu führen. Verantwortlich für die Konformitätserklärung nach Paragraf 5 des EMVG ist die Lenovo (Deutschland) GmbH, Gropiusplatz 10, D-70563 Stuttgart.

Informationen in Hinsicht EMVG Paragraf 4 Abs. (1) 4:

**Das Gerät erfüllt die Schutzanforderungen nach EN 55024 und EN 55022 Klasse B.**

## Korea Class B compliance statement

<b>B급 기기 (가정용 방송통신기자재)</b>
이 기기는 가정용(B급) 전자파적합기기로서 주로 가정에서 사용하는 것을 목적으로 하며, 모든 지역에서 사용할 수 있습니다.

## Japan VCCI Class B compliance statement

この装置は、クラスB情報技術装置です。この装置は、家庭環境で使用することを目的としていますが、この装置がラジオやテレビジョン受信機に近接して使用されると、受信障害を引き起こすことがあります。

取扱説明書に従って正しい取り扱いをして下さい。

VCCI-B



## Lenovo product service information for Taiwan

台灣 Lenovo 產品服務資訊如下：  
荷蘭商聯想股份有限公司台灣分公司  
台北市信義區信義路五段七號十九樓之一  
服務電話：0800-000-702



---

## Appendix E. Notices

Lenovo may not offer the products, services, or features discussed in this document in all countries. Consult your local Lenovo representative for information on the products and services currently available in your area. Any reference to a Lenovo product, program, or service is not intended to state or imply that only that Lenovo product, program, or service may be used. Any functionally equivalent product, program, or service that does not infringe any Lenovo intellectual property right may be used instead. However, it is the user's responsibility to evaluate and verify the operation of any other product, program, or service.

Lenovo may have patents or pending patent applications covering subject matter described in this document. The furnishing of this document does not give you any license to these patents. You can send license inquiries, in writing, to:

*Lenovo (United States), Inc.  
1009 Think Place - Building One  
Morrisville, NC 27560  
U.S.A.  
Attention: Lenovo Director of Licensing*

LENOVO PROVIDES THIS PUBLICATION "AS IS" WITHOUT WARRANTY OF ANY KIND, EITHER EXPRESS OR IMPLIED, INCLUDING, BUT NOT LIMITED TO, THE IMPLIED WARRANTIES OF NON-INFRINGEMENT, MERCHANTABILITY OR FITNESS FOR A PARTICULAR PURPOSE. Some jurisdictions do not allow disclaimer of express or implied warranties in certain transactions, therefore, this statement may not apply to you.

This information could include technical inaccuracies or typographical errors. Changes are periodically made to the information herein; these changes will be incorporated in new editions of the publication. Lenovo may make improvements and/or changes in the product(s) and/or the program(s) described in this publication at any time without notice.

---

## Trademarks

The following terms are trademarks or service marks of Lenovo in the United States, other countries, or both:  
Lenovo  
Lenovo Care  
ThinkPad  
ThinkVantage  
TrackPoint

Microsoft, Windows, and Windows Vista are trademarks of the Microsoft group of companies.

Other company, product, or service names may be trademarks or service marks of others.

---

## Recycling information

Lenovo encourages owners of information technology (IT) equipment to responsibly recycle their equipment when it is no longer needed. Lenovo offers a variety of programs and services to assist equipment owners in recycling their IT products. For information on recycling Lenovo products, go to:  
<http://www.lenovo.com/recycling>

Recycling and disposal information for Japan is available at:  
<http://www.lenovo.com/recycling/japan>

---

## Recycling information for Brazil

### Declarações de Reciclagem no Brasil

#### Descarte de um Produto Lenovo Fora de Uso

Equipamentos elétricos e eletrônicos não devem ser descartados em lixo comum, mas enviados à pontos de coleta, autorizados pelo fabricante do produto para que sejam encaminhados e processados por empresas especializadas no manuseio de resíduos industriais, devidamente certificadas pelos órgãos ambientais, de acordo com a legislação local.

A Lenovo possui um canal específico para auxiliá-lo no descarte desses produtos. Caso você possua um produto Lenovo em situação de descarte, ligue para o nosso SAC ou encaminhe um e-mail para: [reciclar@lenovo.com](mailto:reciclar@lenovo.com), informando o modelo, número de série e cidade, a fim de enviarmos as instruções para o correto descarte do seu produto Lenovo.

---

## Appendix F. Restriction of Hazardous Substances Directive (RoHS)


---

### China RoHS

The information in the following table is applicable for products manufactured on or after March 1, 2007 for sale in the People's Republic of China.

Lenovo 电脑选件	有毒有害物质或元素					
	铅 (Pb)	汞 (Hg)	镉 (Cd)	六价铬 (Cr(VI))	多溴联苯 (PBB)	多溴二苯醚 (PBDE)
键盘	X	O	O	O	O	O

O：表示该有毒有害物质在该部件所有均质材料中的含量均在SJ/T 11363-2006标准规定的限量要求以下。  
X：表示该有毒有害物质至少在该部件的某一均质材料中的含量超出SJ/T 11363-2006标准规定的限量要求。  
对于销往欧盟的产品，标有“X”的项目均符合欧盟指令2002/95/EC 豁免条款。

 在中华人民共和国境内销售的电子信息产品上将印有“环保使用期”(EPuP)符号。圆圈中的数字代表产品的正常环保使用年限。

---

### Turkish RoHS

The Lenovo product meets the requirements of the Republic of Turkey Directive on the Restriction of the Use of Certain Hazardous Substances in Electrical and Electronic Equipment (EEE).

#### Türkiye EEE Yönetmeliğine Uygunluk Beyanı

Bu Lenovo ürünü, T.C. Çevre ve Orman Bakanlığı'nın "Elektrik ve Elektronik Eşyalarda Bazı Zararlı Maddelerin Kullanımının Sınırlandırılmasına Dair Yönetmelik (EEE)" direktiflerine uygundur.

EEE Yönetmeliğine Uygundur.

---

### Ukraine RoHS

Цим підтверджуємо, що продукція Леново відповідає вимогам нормативних актів України, які обмежують вміст небезпечних речовин

---

### India RoHS

RoHS compliant as per E-Waste (Management & Handling) Rules, 2011.





**lenovo**®